

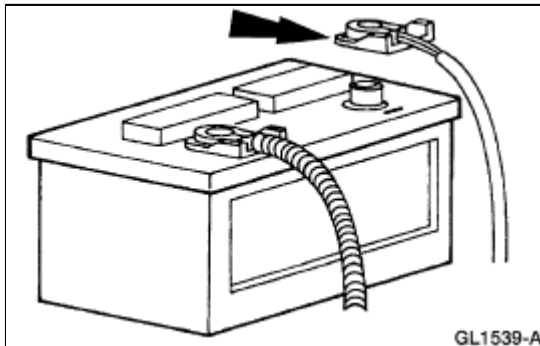
SECTION 501-12: Instrument Panel and Console
REMOVAL AND INSTALLATION

1998 Mark VIII Workshop Manual

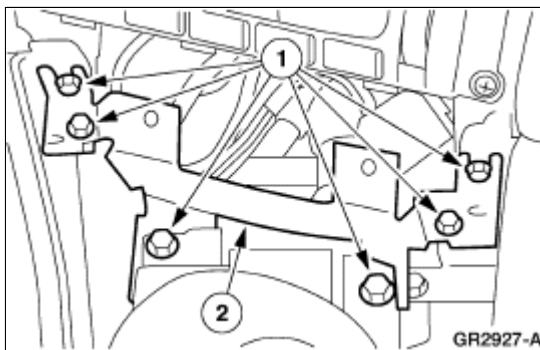
Console —Floor

Removal

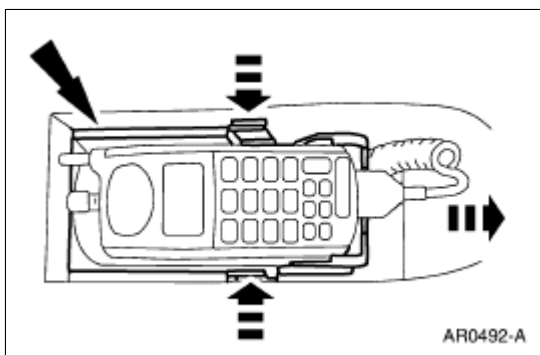
1. Disconnect the battery ground cable (14301).



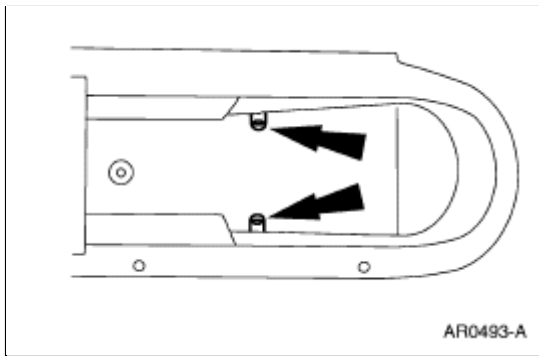
2. Remove the instrument panel center finish panel; refer to [Instrument Panel—Center Finish Panel](#).
3. Remove the floor console support bracket.
 1. Remove the screws.
 2. Remove the floor console support bracket.



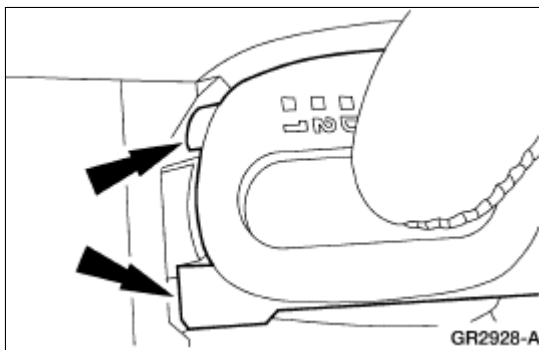
4. If equipped, remove the mobile phone and bracket.



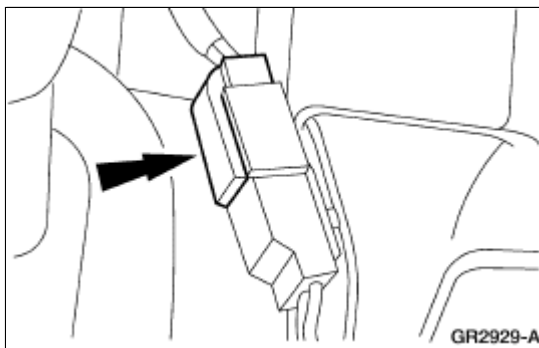
5. Remove the floor console rear screws.



6. Unclip the gear shift selector housing from the floor console.



7. Disconnect the wiring harness connectors.
 - If equipped, disconnect the mobile phone coaxial cable.



8. Remove the floor console from the vehicle.

Installation

1. To install, reverse the removal procedure.

