

SECTION 412-02: Heating/Defrosting  
REMOVAL AND INSTALLATION

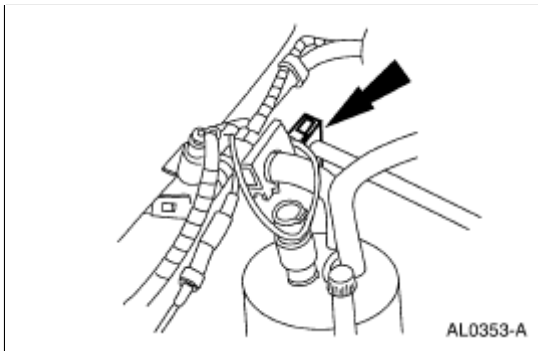
1998 Mark VIII Workshop Manual  
Procedure revision date: 01/02/2002

---

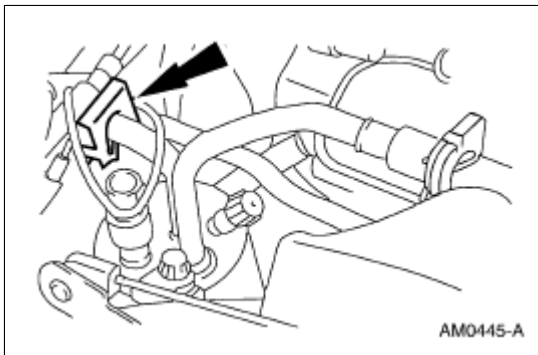
## Evaporator Core Housing

### Removal

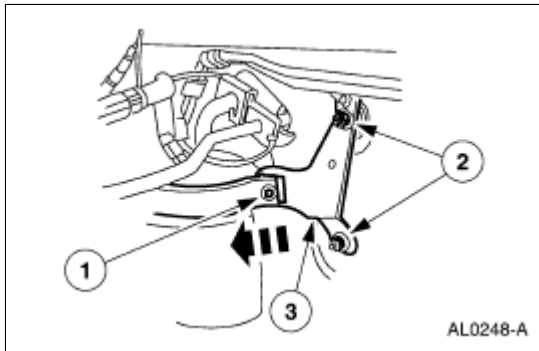
1. Remove the instrument panel (04320) ; refer to [Section 501-12](#) .
2. Drain the coolant from the radiator (8005) so the coolant level is below the heater core (18476) ; refer to [Section 303-03](#) .
3. Recover the refrigerant; refer to [Section 412-00](#) .
4. Disconnect the condenser to evaporator tube (19835) from the A/C evaporator core (19860) ; refer to the Spring Lock Couplings Disconnect and Connect general procedure in [Section 412-00](#) .



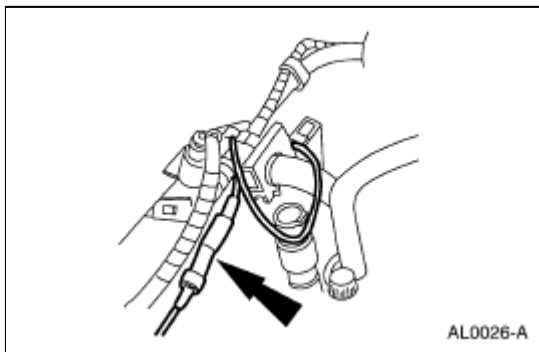
5. Disconnect the suction accumulator/drier (19C836) from the A/C evaporator core ; refer to the Spring Lock Couplings Disconnect and Connect general procedure in [Section 412-00](#) .



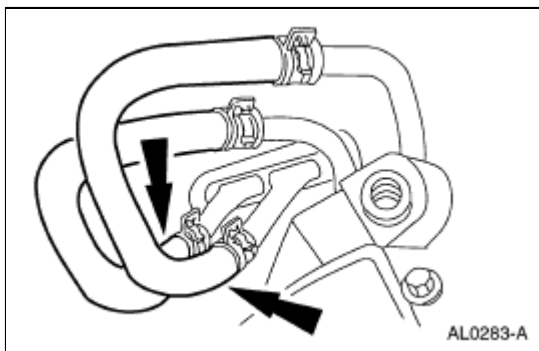
6. Position the A/C accumulator bracket (19D606) away from the cowl.
  1. Loosen the clamp screw.
  2. Remove the nuts.
  3. Rotate the A/C accumulator bracket away from the cowl.



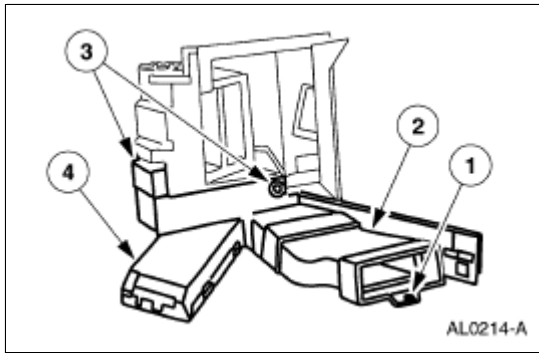
7. Disconnect the vacuum supply hose.



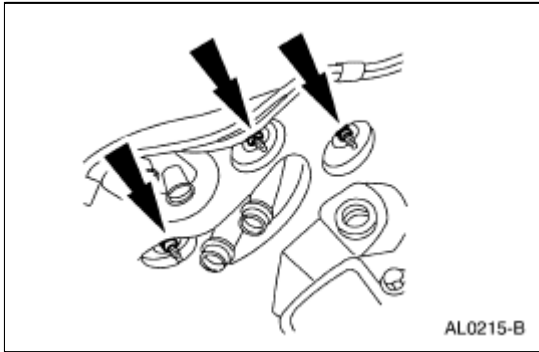
8. Disconnect the heater water hoses (18472) from the heater core.



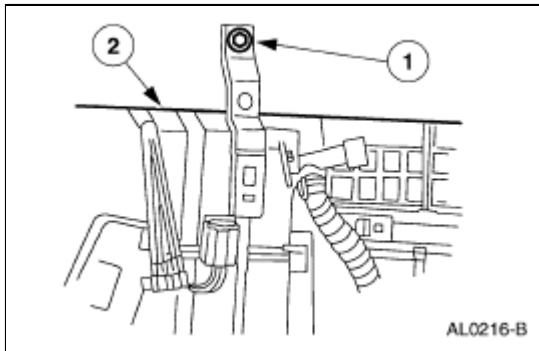
9. Remove the heater outlet floor duct (18C433).
  1. Remove the screw.
  2. Remove the duct extension.
  3. Remove the screws.
  4. Remove the heater outlet floor duct.



10. Remove the A/C evaporator housing retaining nuts.



11. Remove the A/C evaporator housing (1985).
1. Remove the screw.
  2. Remove the A/C evaporator housing from the vehicle.



### Installation

1. Follow the removal procedure in reverse order.

